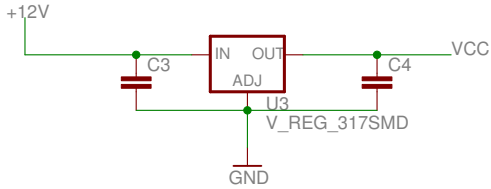
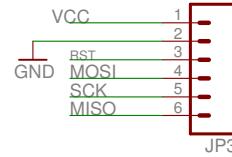


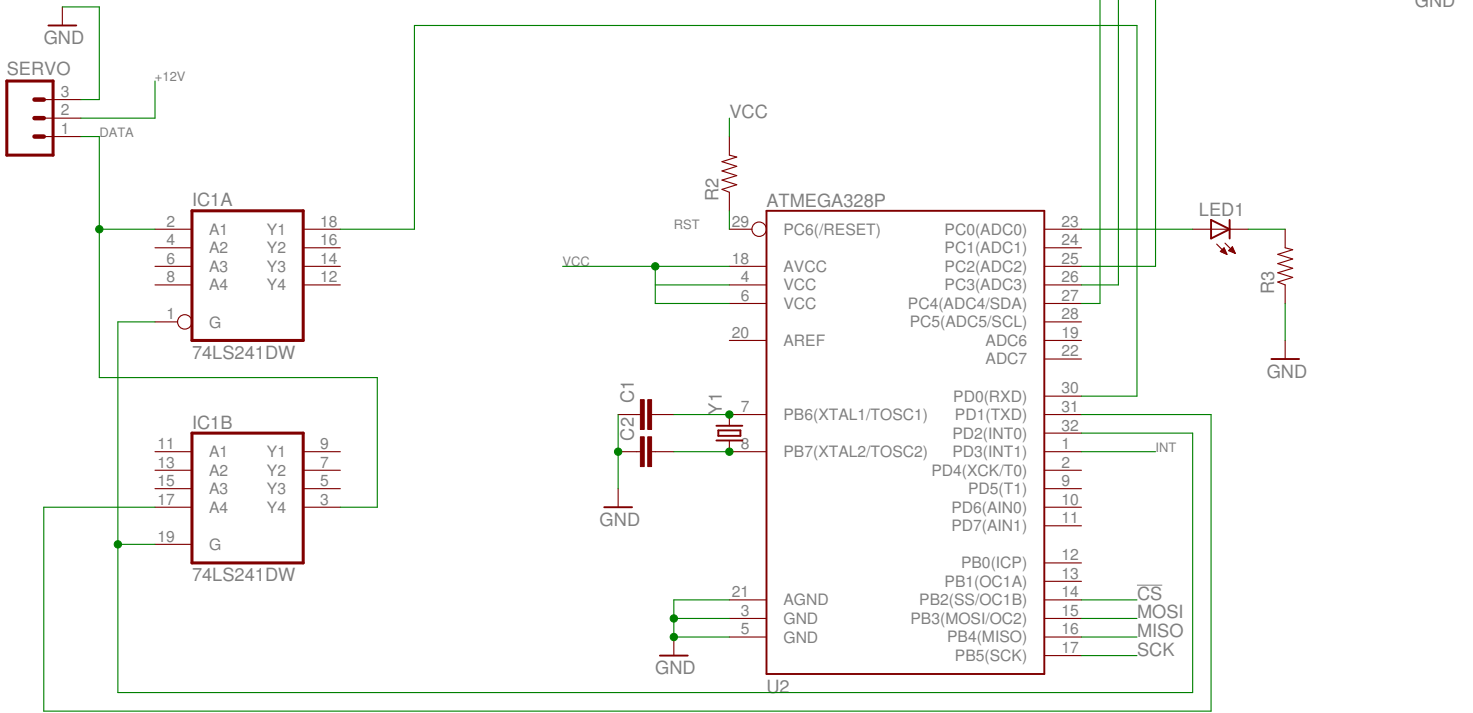
### Regulated Logic Voltage Supply



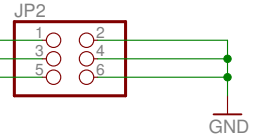
### Programming Header



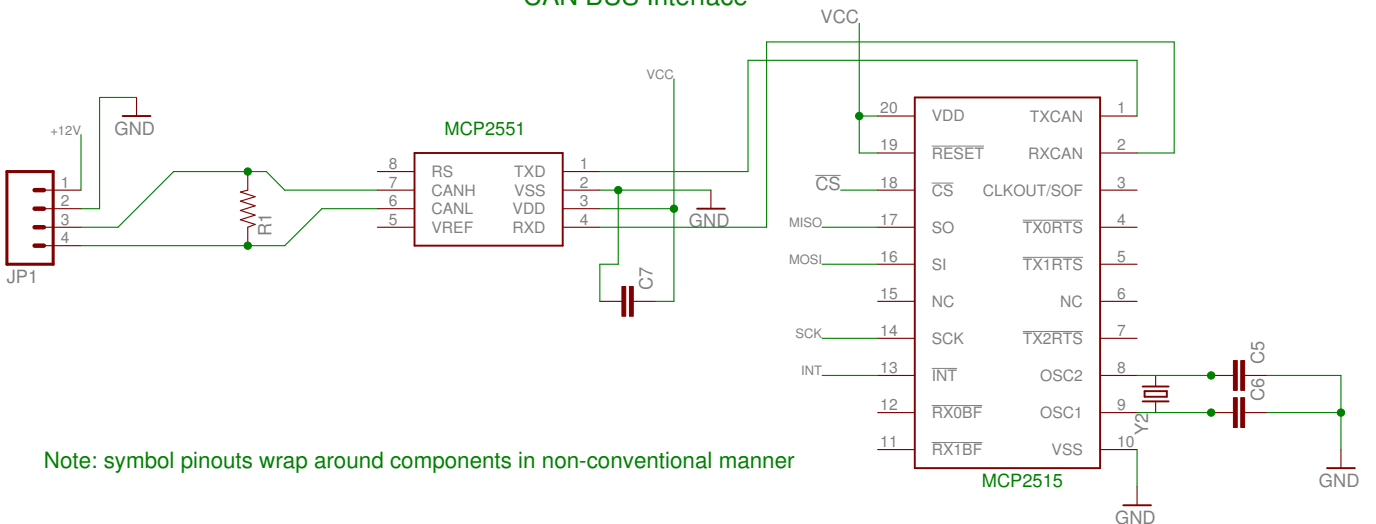
### AX-12A Servo Interface



### Programming Header Alt



### CAN BUS Interface



Note: symbol pinouts wrap around components in non-conventional manner